

BATTERY BACKUP UNIT

INSTALLATION INSTRUCTIONS

CONTENTS



Backup Battery Unit



Battery (6 Volt 4 Amp Hour Rechargeable Sealed Lead-Acid) (Optional)



AC Power Cord (Optional)

Before installing your **Battery Backup Unit**, carefully remove the contents from the shipping carton and check for evidence of shipping damage. **If damage is found, contact your Authorized Telular Distributor or shipping agent immediately.**

PLEASE SEE THE IMPORTANT NOTICES SECTION OF THIS GUIDE FOR IMPORTANT INFORMATION ON USE, WARRANTY AND INDEMNIFICATION

SAFE OPERATION INSTRUCTIONS

IMPORTANT! Before installing or operating this product, read the **GENERAL INFORMATION AND SAFETY** section of this guide.

- Install the unit indoors.
- Install the unit on a hard, flat surface for proper ventilation.
- Do not expose the unit to rain or moisture.
- Do not place the unit on or close to sources of heat.

IMPORTANT NOTICES

TERMS AND CONDITIONS FOR USE OF TELULAR PRODUCTS ("Product")

These Terms and Conditions are a legal contract between you and Telular Corporation for the title to and use of the Product. **BY RETAINING AND USING THE PRODUCT AFTER RECEIPT OF IT, YOU AGREE TO THE TERMS AND CONDITIONS INCLUDING WARRANTY DISCLAIMERS, LIMITATIONS OF LIABILITY AND INDEMNIFICATION PROVISIONS BELOW. IF YOU DO NOT AGREE TO THE TERMS AND CONDITIONS, DO NOT USE THE PRODUCT AND IMMEDIATELY RETURN THE UNUSED PRODUCT FOR A COMPLETE REFUND.** You agree to accept sole responsibility for any misuse of the Product by you; and, in addition, any negligent or illegal act or omission of your or your agents, contractors, servants, employees, or other users of the Product so long as the Product was obtained from you, in the use and operation of the Product.

INDEMNIFICATION OF TELULAR CORPORATION ("TELULAR")

YOU SHALL INDEMNIFY, DEFEND AND HOLD HARMLESS TELULAR FOR ANY OF THE COST, INCLUDING REASONABLE ATTORNEYS' FEES, AND FROM CLAIMS ARISING OUT OF YOU, YOUR CLIENTS' OR OTHER THIRD PARTIES' USE OR OPERATION OF THE PRODUCT: (i) FOR MISUSE OR IN A MANNER NOT CONTEMPLATED BY YOU AND TELULAR OR INCONSISTENT WITH THE PROVISIONS OF THIS MANUAL; (ii) IN AN ILLEGAL MANNER OR AGAINST PUBLIC POLICY; (iii) IN A MANNER SPECIFICALLY UNAUTHORIZED IN THIS MANUAL; (iv) IN A MANNER HARMFUL OR DANGEROUS TO THIRD PARTIES; (v) FROM CLAIMS BY ANYONE RESPECTING PROBLEMS, ERRORS OR MISTAKES OF THE PRODUCT; OR (vi) COMBINATION OF THE PRODUCT WITH MATERIAL, MODIFICATION OF THE PRODUCT OR USE OF THE PRODUCT IN AN ENVIRONMENT NOT PROVIDED, OR PERMITTED, BY TELULAR IN WRITING. THE PARTIES SHALL GIVE EACH OTHER PROMPT NOTICE OF ANY SUCH COST OR CLAIMS AND COOPERATE, EACH WITH THE OTHER, TO EFFECTUATE THIS INDEMNIFICATION, DEFENSE AND HOLD HARMLESS.

TELULAR CORPORATION

Corporate Headquarters

647 North Lakeview Parkway
Vernon Hills, Illinois 60061, USA

Technical Support

Tel: 847-247-9400 · Fax: 847-247-0021

E-mail: support@telular.com · <http://www.telular.com>

TABLE OF CONTENTS

Contents	2
Safe Operation Instructions	2
Important Notices	2
Battery Backup Unit	4
Install the Battery	4
Wall-Mount the Battery Backup Unit (optional)	5
Connect the Battery Backup Unit to a Phonecell.....	6
Charge the Battery	6
General Information and Safety	7
Warranty	7

Battery Backup Unit

The Battery Backup Unit is the power supply and provides emergency power backup for Telular Phonecell fixed wireless products. The Phonecell will operate on AC power as long as AC power is available. When AC power is interrupted, the Phonecell will operate on power supplied by the battery (4 hours talk time/18 hours standby).

The Battery Backup Unit does not include an AC Power Cord or a battery. You will need a 6 Volt 4 Amp Hour Rechargeable Sealed Lead-Acid battery. Both the power cord and the battery can be purchased from an authorized Telular dealer.

Install the Battery

IMPORTANT: The Backup Battery Unit must not be connected to a Phonecell or to any power source when you install or replace the battery.

- 1) Unlatch and remove the battery compartment cover - *See Figure 1.*

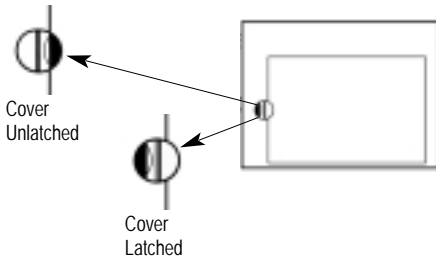


Figure 1 - Unlatch the compartment cover.



WARNING!

Connecting wires to the wrong terminals can cause severe damage to the Battery Backup Unit.

- 2) Connect the black wire(-) in the battery compartment to the black terminal (-) on the battery.
- 3) Connect the red wire (+) in the battery compartment to the red terminal (+) on the battery.

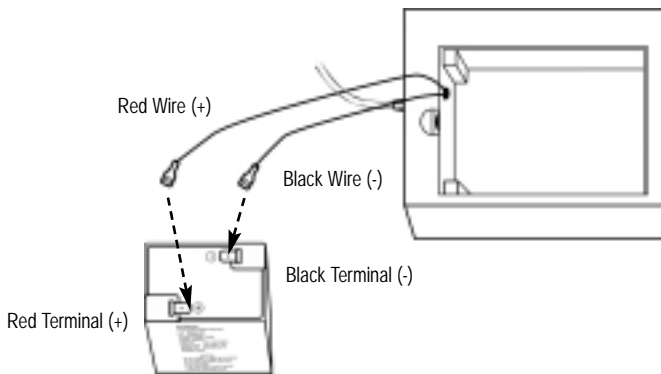


Figure 2 - Connect the battery.

- 4) Insert the battery into the battery compartment - **See Figure 3.**
- 5) Attach the compartment cover and secure it with the cover latch.

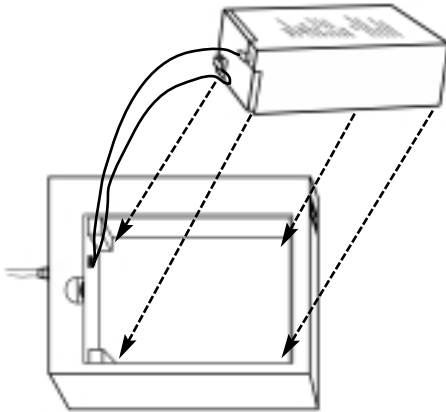


Figure 3 - Install the battery.

Wall-Mount the Battery Backup Unit (Optional)

Make sure that the mounting surface and the hardware you intend to use will support the weight of the unit when the battery is installed.

- 1) Mark two locations (level with each other horizontally) 128 mm (5 inches) apart on the wall for the mounting screws.
- 2) Drill holes for the mounting screws (screws are not provided).
- 3) Fasten the screws to the wall leaving a gap approximately 3mm (1/8 inches) between the head of the screw and the wall.
- 4) Mount the Battery Backup Unit to the screws - **See Figure 4.** If the unit is not firmly attached to the wall, remove it, tighten the screws, and remount the unit.

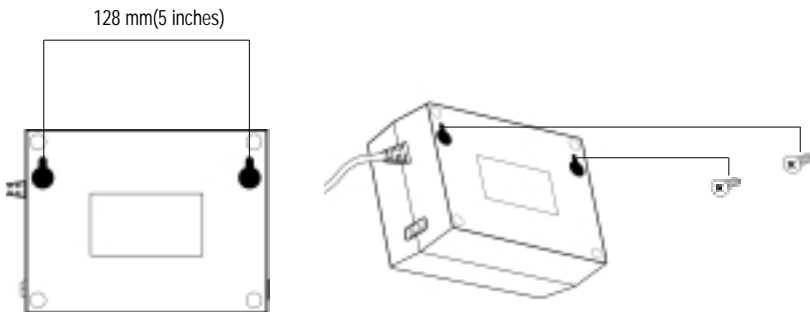


Figure 4 - Wall-mount installation.

Connect the Battery Backup Unit to a Phonecell

- 1) Plug the barrel connector from the Battery Backup Unit into the DC power input connector on your Phonecell.
- 2) Attach an AC power cord to the AC connector on the Battery Backup Unit, then plug the power cord into an AC wall outlet - **See Figure 5**. The Phonecell will power on.

NOTE: The battery power switch allows battery power to be turned ON or OFF when AC is not active - **See Figure 6**. If the switch is in the ON position when AC power is not active, the Phonecell will operate on battery power. If the switch is in the OFF position when AC power is not active, the battery will be disabled and the Phonecell will have no power. When AC is active, the switch position has no effect.

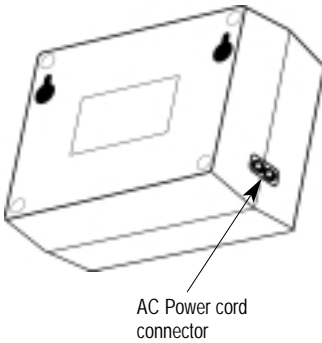


Figure 5 - AC connector.

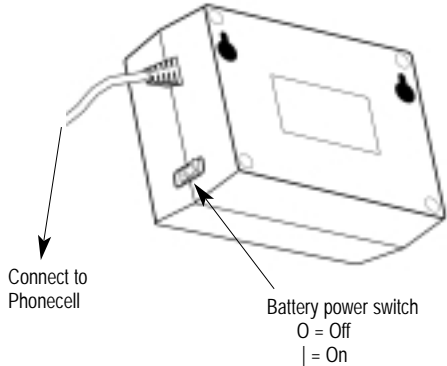


Figure 6 - Battery power switch.

Charge the Battery

When the battery is new, it must be charged for at least 24 hours before you use it. Failure to fully charge the battery before use will prevent the battery from achieving a full charge and could decrease the life of the battery.

When AC power is available, the Battery Backup Unit will charge the battery.

GENERAL INFORMATION AND SAFETY



WARNING!

Danger of explosion if battery is incorrectly inserted. Replace only with the same or equivalent type recommended by the manufacturer.

All batteries can cause property damage, burns, or other injury if conductive material, such as jewelry, keys, or beaded chains, comes in contact with exposed terminals. The material may complete an electrical circuit (short circuit) and become very HOT. If you replace the battery, be sure to dispose of the old battery in accordance with your local laws.

WARRANTY

I. WHAT THIS WARRANTY COVERS AND FOR HOW LONG:

TELULAR CORPORATION ("Telular") warrants to a distributor Buyer, or to a customer only if the customer is a Buyer directly from Telular, that the Products (including accessories) shall comply with the applicable Specifications and shall be free from defects in material and workmanship under normal use and service for a period of fifteen (15) months from date of shipment from Telular. Telular, at its option, shall at no charge either repair, replace or refund the purchase price of the Product during the warranty period, provided it is returned by Buyer in accordance with the terms of this warranty to the Telular designated repair center. Repair or replacement, at Telular's option, may include the replacement of parts, boards or Products with functionally equivalent reconditioned items. Repaired and replacement items are warranted for the balance of the original warranty period. All replaced items shall become the property of Telular. **SUCH ACTION ON THE PART OF TELULAR SHALL BE THE FULL EXTENT OF TELULAR'S LIABILITY HEREUNDER, AND BUYERS EXCLUSIVE REMEDY.** Buyer shall be responsible for all costs and expenses incurred by Buyer including without limitation any handling, labor or transportation charges. **OTHER THAN AFORESAID, THIS EXPRESS WARRANTY IS EXTENDED BY TELULAR TO BUYER ONLY AND NOT TO BUYER'S CUSTOMERS OR USERS OF BUYER'S PRODUCTS.**

II. HOW TO OBTAIN WARRANTY SERVICE

Product covered under this warranty shall only be accepted from and returned to Buyer's designated repair center. Buyer's dealers, distributors, agents, and end users cannot submit items to Telular under this warranty. To receive warranty service an RMA number must first be obtained from Telular Technical Support. The defective or non-compliant Product should be sent by Buyer freight pre-paid to: Telular Corporation, 647 North Lakeview Parkway, Vernon Hills, IL 60061, USA or other designated location. The product must be packaged in the original carton and packing material or an equivalent package and must have the assigned RMA number clearly marked on the carton. Returned Product received without an RMA number will be returned to the sender.

III. WARRANTY CONDITIONS:

This is the complete warranty for the Products manufactured by Telular and sold to Buyer. Telular assumes no obligation or liability for additions or modifications to this warranty unless made in writing and signed by an officer of Telular. Unless made in separate written agreement between Telular and Buyer, Telular does not warrant the installation, field maintenance or service of the Products or parts. **TELULAR CANNOT BE RESPONSIBLE IN ANY WAY FOR ANY ANCILLARY EQUIPMENT NOT FURNISHED BY TELULAR WHICH IS ATTACHED TO OR USED IN CONNECTION WITH THE PRODUCTS OR FOR OPERATION OF THE PRODUCTS WITH ANY ANCILLARY EQUIPMENT AND ALL SUCH EQUIPMENT IS EXPRESSLY EXCLUDED FROM THIS WARRANTY. FURTHERMORE, TELULAR CANNOT BE RESPONSIBLE FOR ANY DAMAGE TO THE PRODUCTS RESULTING FROM THE USE OF ANCILLARY EQUIPMENT NOT FURNISHED BY TELULAR FOR USE WITH THE PRODUCTS.**

WHEN THE PRODUCT IS USED IN CONJUNCTION WITH ANCILLARY OR PERIPHERAL EQUIPMENT NOT MANUFACTURED BY TELULAR, TELULAR DOES NOT WARRANT THE OPERATION OF THE PRODUCT/PERIPHERAL COMBINATION, AND TELULAR SHALL HONOR NO WARRANTY CLAIM WHERE THE PRODUCT IS USED IN SUCH A COMBINATION AND IT IS DETERMINED BY TELULAR THAT THERE IS NO FAULT WITH THE PRODUCT. TELULAR DISCLAIMS LIABILITY FOR RANGE, COVERAGE, AVAILABILITY, OR OPERATION OF THE CELLULAR SYSTEM WHICH IS PROVIDED BY THE CARRIER.

V. WHAT THIS WARRANTY DOES NOT COVER:

(a) Subsequent upgrades and enhancements to the Product. (b) Defects, non-compliance or damage resulting from use of the Product in other than its normal and customary manner or environment. (c) Defects, non-compliance or damage from misuse, lightening, accident or neglect. (d) Defects, non-compliance or damage from improper testing, operation, maintenance, installation, adjustment, or any alteration or modification of any kind. (e) Product disassembled or repaired in such a manner as to adversely affect performance or prevent adequate inspection and testing to verify any warranty claim. (f) Product which has had the serial number removed or made illegible. (g) Defects, non-compliance or damage due to spills of food or liquid. (h) All plastic surfaces and all other externally exposed parts that are scratched or damaged due to customer normal use. (i) Costs and expenses, including without limitation handling, labor and transportation, incurred in returning Product for warranty service to Telular's Repair Center. (j) Repair, programming or servicing by someone other than Telular.

V. GENERAL PROVISIONS:

THIS WARRANTY IS GIVEN IN LIEU OF ALL OTHER EXPRESS OR STATUTORY WARRANTIES. IMPLIED WARRANTIES, INCLUDING WITHOUT LIMITATION IMPLIED WARRANTIES OF MERCHANTABILITY, FITNESS FOR A PARTICULAR PURPOSE, TITLE, INFRINGEMENT, DELIVERY, NEGLIGENCE AND PERSONAL INJURY, ARE DISCLAIMED. FURTHER, AS THE CELLULAR CARRIER IS NOT CONTROLLED BY TELULAR, NO WARRANTY IS MADE AS TO COVERAGE, AVAILABILITY OR GRADE OF SERVICE PROVIDED BY THE CELLULAR CARRIER. IN NO EVENT SHALL TELULAR BE LIABLE FOR DAMAGES IN EXCESS OF THE PURCHASE PRICE OF THE PRODUCT, FOR ANY LOSS OF USE, LOSS OF TIME, INCONVENIENCE, COMMERCIAL LOSS, LOST PROFITS OR SAVINGS OR OTHER INCIDENTAL, SPECIAL OR CONSEQUENTIAL DAMAGES ARISING OUT OF THE USE OR INABILITY TO USE SUCH PRODUCT TO THE FULL EXTENT SUCH MAY BE DISCLAIMED BY LAW. SOME JURISDICTIONS DO NOT ALLOW THE EXCLUSION OR LIMITATIONS OF INCIDENTAL OR CONSEQUENTIAL DAMAGES OR LIMITATION ON HOW LONG AN IMPLIED WARRANTY LASTS.

VI. SOFTWARE PROVISIONS:

Laws in the United States and other countries preserve for Telular certain exclusive rights for copyrighted Telular software such as the exclusive rights to reproduce in copies and distribute copies of such Telular software. Telular software may be copied into, used in and redistributed with only the Product associated with such Telular software. No other use, including without limitation, disassembly of such Telular software or exercise of exclusive rights in such Telular software is permitted and Telular reserves all rights not expressly granted in this Limited Commercial Warranty.

Patents: Telular Corporation products are protected and manufactured under one or more of the following U.S. patents and related international patents and patents pending relating thereto: 4,658,096; 4,737,975; 4,775,997; 4,868,519; 4,922,517; 5,134,651; 5,361,297; 5,469,494; 5,046,085; 5,715,296.

Trademarks: Telular Corporation owns the following registered trademarks: TELULAR and design, TELULAR, CELJACK, MAXJACK, TELCEL, HEXAGON LOGO, PHONECELL, CELSERV, TELGUARD, CPX, and AXCELL.



647 North Lakeview Parkway
Vernon Hills, Illinois 60061, USA
Tel: 847-247-9400 • Fax: 847-247-0021
E-mail: mainoffice@telular.com
<http://www.telular.com>